

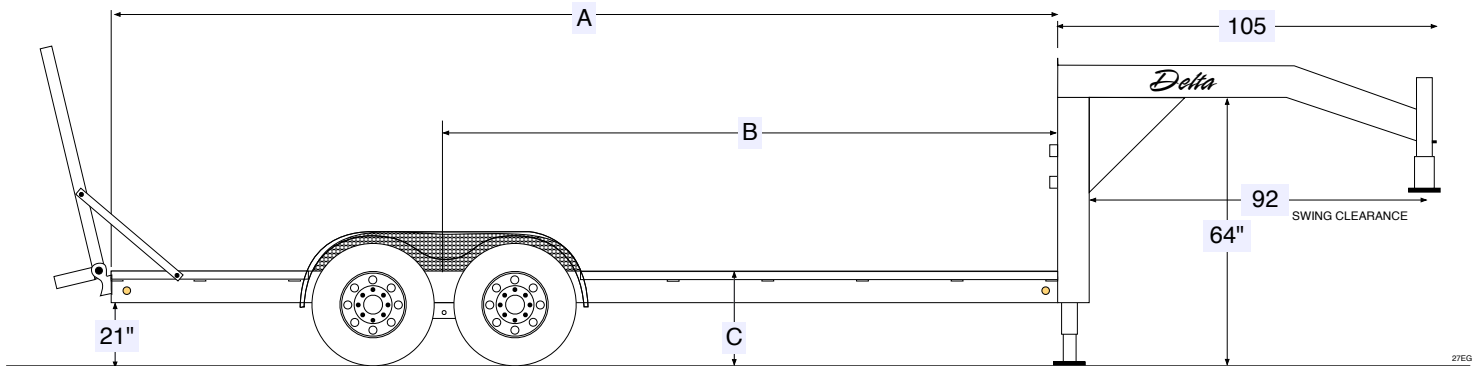
|                      |  |                        |  |
|----------------------|--|------------------------|--|
| <b>G.V.W.R</b>       | 14,000#                                      | <b>LOADING RAMPS</b>   | 2 - 3" Channel Loading Ramps                         |
| <b>COUPLER</b>       | 2 5/16" Bulldog Adjustable Gooseneck Coupler | <b>LIGHTS</b>          | All LED Stop, Tail, Turn and Clearance               |
| <b>AXLES</b>         | Tandem 7,000# Single Wheel                   | <b>ELECTRIC PLUG</b>   | 7-Way RV Style                                       |
| <b>SUSPENSION</b>    | Multi-leaf Slipper Spring with Equalizer     | <b>PREP</b>            | 3-Step Acid Washed with Phosphorus Solution          |
| <b>BRAKES</b>        | Electric brakes on all axles                 | <b>PRIMER</b>          | Rust Resistant Epoxy Primer                          |
| <b>TIRE</b>          | ST235/80R16 (10 ply)                         | <b>PAINT</b>           | High Solid Urethane                                  |
| <b>WHEEL</b>         | 16 x 6, 8-bolt                               | <b>PINSTRIPES</b>      | Painted Pinstripes                                   |
| <b>FRAME</b>         | 6" Channel on 14'-18', 8" Channel on 20'-24' | <b>WIDTH</b>           | 84" wide (approx. between fenders)                   |
| <b>GOOSENECK</b>     | 10" I-Beam                                   | <b>DECK HEIGHT</b>     | Approx. 28" standard                                 |
| <b>CROSSMEMBERS</b>  | 3" Channel on 16" centers                    | <b>STORAGE</b>         | Chain Basket between uprights                        |
| <b>SAFETY CHAINS</b> | Heavy Duty with Safety Latch Hooks           | <b>WIRING</b>          | Front Mount in conduit                               |
| <b>JACK</b>          | Single 12,000# Spring Loaded Drop Leg Jack   | <b>REFLECTIVE TAPE</b> | Required D.O.T. Reflective Taping                    |
| <b>SIDE RAILS</b>    | Stake Pockets & Rub Rails                    | <b>SAFETY</b>          | Emergency Breakaway switch & battery backup          |
| <b>FLOOR</b>         | 2" Pressure Treated Pine                     |                        |  |
| <b>FENDERS</b>       | Diamondplate Teardrop with full backplate    |                        |  |
|                      |  |                        | All specifications subject to change without notice. |

### Measurements

when equipped with 5' dove tail

| Length | A   | B    | C   |
|--------|-----|------|-----|
| 14     | 168 | 114" | 28" |
| 16     | 192 | 126" | 28" |
| 18     | 216 | 138" | 28" |
| 20     | 240 | 150" | 28" |
| 22     | 264 | 162" | 28" |
| 24     | 288 | 174" | 28" |

All measurements are approximate



### SUGGESTED RETAIL PRICE

Gooseneck

| Model   | Length | Frame      | MSRP    |
|---------|--------|------------|---------|
| 27EG-14 | 14'    | 6" Channel | \$5,530 |
| 27EG-16 | 16'    | 6" Channel | \$5,767 |
| 27EG-18 | 18'    | 8" Channel | \$6,002 |
| 27EG-20 | 20'    | 8" Channel | \$6,335 |
| 27EG-22 | 22'    | 8" Channel | \$6,471 |
| 27EG-24 | 24'    | 8" Channel | \$6,705 |

### 27EG OPTIONS PRICING

|   |          |   |          |
|---|----------|---|----------|
| Dove Tail (2 ft.)                       | \$130    | Metal Floor (3/16" Diamondplate with crossmembers on 12" centers) | \$79/ft. |
| Lid for Chain Basket                    | \$70     | Spare Wheel   | \$85     |
| Extra Spring Loaded Jack (Dual Jacks)   | \$235    | Spare (Complete Tire & Wheel)                                     | \$252    |
| 2-Speed Jack System (includes 2nd Jack) | \$426    | Slide-in Ramps  | \$365    |
| Shrinkwrap Electrical Connections       | \$86     | Deduct for no ramps   | -\$100   |
| Springs on Ramps                        | \$23 ea. |   |          |