

# *Delta*

# 210GT



## **10K Dually Tilt-Deck Trailer**

**Bumper Pull Model Shown. Also Available in Gooseneck**



DELTA TRAILERS • 1-800-556-2283 • [www.deltatrailers.com](http://www.deltatrailers.com)



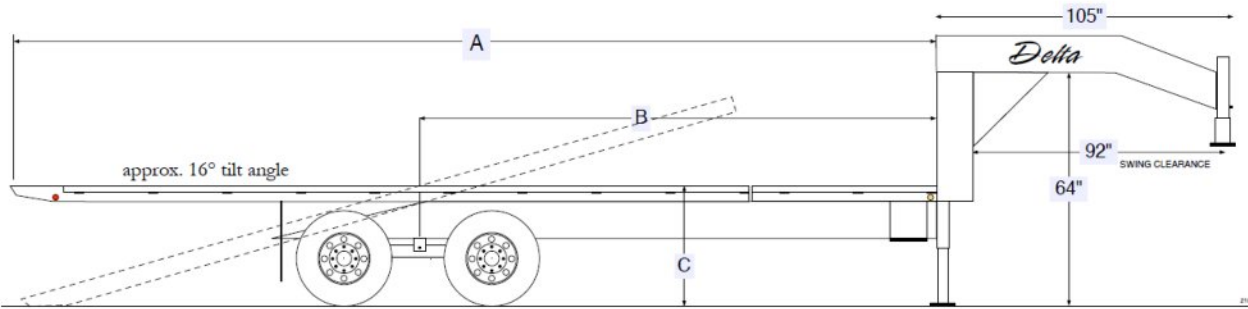
# 210GT 10K DUALY TILT-DECK TRAILER

## S P E C I F I C A T I O N S

<b>G.V.W.R</b>	23,400#
<b>COUPLER</b>	2 5/16" E-Z Adjustable Coupler
<b>AXLES</b>	Tandem 10,000# Dual Wheel (Oil-Bath)
<b>SUSPENSION</b>	Multi-leaf Slipper Spring with Equalizer
<b>TIRE</b>	ST235/80R16 (10 ply)
<b>WHEEL</b>	16 x 6 Dual 8-bolt
<b>FRAME</b>	12", (19 lbs./ft.)
<b>NECK</b>	12" I-Beam
<b>CROSSMEMBERS</b>	3" Channel on 16" Centers
<b>SAFETY CHAINS</b>	3/8" Heavy Duty with Safety Latch Hooks
<b>JACK</b>	12,000# Spring Loaded Drop Leg Jack
<b>SIDE RAILS</b>	5" Angle Iron with Rub Rails & Stake Pockets
<b>STAKE POCKETS</b>	Formed Stake Pockets on 24" Centers
<b>FLOOR</b>	2" Pressure Treated Pine
<b>LIGHTS</b>	All LED Stop, Tail, Turn and Clearance

<b>ELECTRIC PLUG</b>	7-Way RV Style
<b>PREP</b>	3-Step Acid Washed with Phosphorus Solution
<b>PRIMER</b>	Rust Resistant Epoxy Primer
<b>PAINT</b>	High Solid Urethane
<b>PINSTRIPES</b>	Painted Pinstripes
<b>OVERALL WIDTH</b>	102" Wide (approx)
<b>DECK HEIGHT</b>	Approx. 38" Standard
<b>BRAKES</b>	Electric Brakes on All Axles
<b>STEPS</b>	Access Step on Driver's Side
<b>STORAGE</b>	Chain Basket Between Uprights
<b>WIRING</b>	Front Mount in Conduit
<b>REFLECTIVE TAPE</b>	Required D.O.T. Reflective Taping
<b>SAFETY</b>	Emergency Breakaway Switch & Battery Backup

*All specifications subject to change without notice.*



Gooseneck Model Shown in Diagram Above. Bumper Pull Shown Below.

## M E A S U R E M E N T S

26' model shown (6 + 20).

Model	Length	Tilt Deck	Front Deck	A	B	C
210GT-26	26	20'	6'	312"	177"	38"
210GT-30	30	20'	10'	360"	237"	38"

All measurements are approximate



## O P T I O N S

- Disc Brakes (Includes 10K HD Upgrade) -- Must Add Elec./Hyd. Brakes
- Torque Tube (Helps Minimize Trailer Twisting)
- Electric Over Hydraulic Brakes
- Spare Wheel
- Dexter HD Adjustable Suspension (Similar to Hutch)
- Spare (Complete Tire & Wheel)
- Lid for Chain Basket
- Upgrade 10K Heavy Duty Axles
- Side Mount Toolbox with Lid
- Upgrade 12K Axles
- Extra Spring Loaded Jack (Dual Jacks)
- Upgrade to 12", 22 lb. I-Beam
- 2-Speed Jack System (Includes 2nd Jack)
- Upgrade to 14-ply Radial Tires
- Pipe Spools (Between Stake Pockets)
- Upgrade to 17.5 Tires
- Full Power Up/Down Hydraulic System (Scissor Hoist)
- Blackwood (Rubber Infused Lumber) Excellent Traction
- Metal Floor (3/16" Diamondplate with Crossmembers on 12" Centers)