

# *Delta* **27NBD**



## **7-Ton Narrow Body Dump Trailers**

Also Available in Gooseneck



DELTA TRAILERS • 1-800-556-2283 • [www.deltatrailers.com](http://www.deltatrailers.com)



# 27NBD

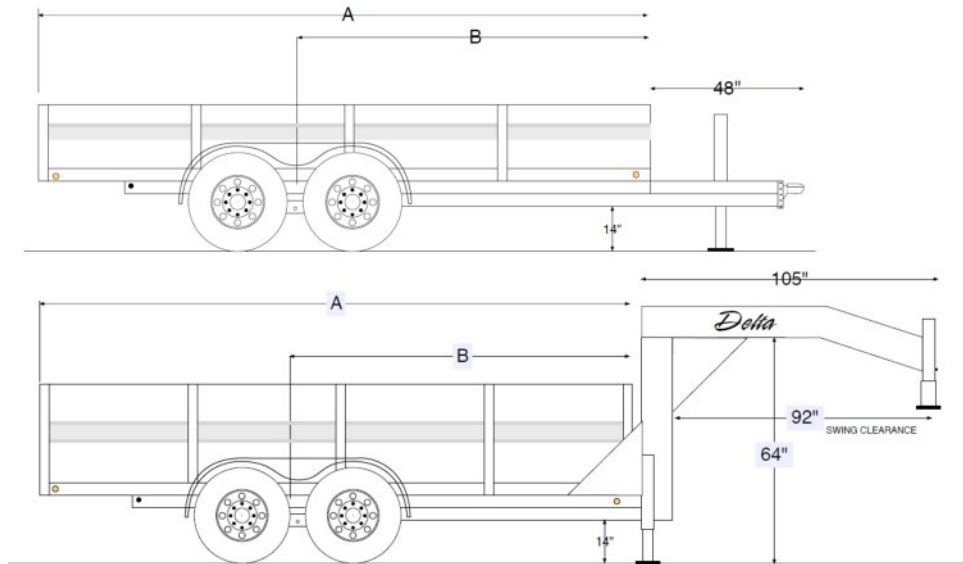
## 7-TON NARROW BODY DUMP TRAILERS

### S P E C I F I C A T I O N S

<b>G.V.W.R</b>	14,000#	<b>TARP/MOUNT</b>	Tarp Mount is Standard, Tarp Optional
<b>COUPLER (BP)</b>	2 5/16" Bulldog Coupler on Leveler Track	<b>TOOLBOX</b>	Front Mount Toolbox with Lid Between Jacks
<b>COUPLER (GN)</b>	2 5/16" Bulldog Adjustable Gooseneck Coupler	<b>HYDRAULIC LIFT</b>	Self-Contained Electric/Hydraulic Scissor Lift
<b>AXLES</b>	Tandem 7,000# Single Wheel	<b>HYDRAULIC PUMP</b>	Front Mount Pump & Battery Inside Toolbox
<b>SUSPENSION</b>	Multi-leaf Slipper Spring with Equalizer	<b>CONTROL</b>	Magnetic Control Unit
<b>BRAKES</b>	Electric Brakes on All Axles	<b>DUMP BED SIDES</b>	24" High, 12 Gauge Smooth Steel
<b>TIRE</b>	ST235/80R16 (10 ply)	<b>REAR GATE/DOOR</b>	Combination Dump/Swing Gate with Cam Latches
<b>WHEEL</b>	16 x 6, 8-bolt Steel	<b>LOADING RAMPS</b>	2 - 6 ft. Loading Ramps
<b>FRAME</b>	2" x 5" Tubing	<b>LIGHTS All LED</b>	All LED Stop, Tail, Turn and Clearance
<b>TONGUE (BP)</b>	5" Channel (double to 10")	<b>ELECTRIC PLUG</b>	7-Way RV Style
<b>GOOSENECK</b>	10" I-Beam (12 lbs./ft.)	<b>PREP</b>	3-Step Acid Washed with Phosphorus Solution
<b>CROSSMEMBERS</b>	3" Channel on 16" Centers	<b>PRIMER</b>	Rust Resistant Epoxy Primer
<b>BED CROSSMEMBERS</b>	3" Channel on 12" Centers	<b>PAINT</b>	High Solid Urethane
<b>FRAME TONGUE (GN)</b>	5" Channel (Doubled to 10")	<b>PINSTRIPES</b>	Painted Pinstripes
<b>SAFETY CHAINS</b>	Heavy Duty with Safety Latch Hooks	<b>WIDTH</b>	84" Wide (approx.)
<b>JACK</b>	12,000# Spring Loaded Drop Leg Jack	<b>HEIGHT</b>	Approx. 29"
<b>BED TIE DOWNS</b>	4-Heavy Duty D-Rings	<b>STORAGE</b>	Front Mounted Toolbox with Lid (in A-Frame)
<b>FLOOR HEIGHT (GN)</b>	Approx. 29"	<b>WIRING</b>	Front Mount in Conduit
<b>FLOOR</b>	10 Gauge Smooth Steel	<b>REFLECTIVE TAPE</b>	Required D.O.T. Reflective Taping
<b>FENDERS</b>	Steel Diamondplate	<b>SAFETY</b>	Emergency Breakaway Switch & Battery Backup
<b>DUMP ANGLE</b>	45 Degree Dump Angle (max)		All specifications subject to change without notice.

### M E A S U R E M E N T S

Model	Lgth	Capacity	A	B
27NBD-12	12'	9.1 cubic yd	144"	81"
27NBD-14	14'	10.6 cubic yd	168"	102"
27NBD-16	16'	12.1 cubic yd	192"	108"



### O P T I O N S

- Extra Spring Loaded Jack (Dual Jacks)
- 2-Speed Jack System (Trailer Comes with 2 Standard Jacks)
- Spare Wheel
- Spare (Complete Tire & Wheel)
- Shrinkwrap Electrical Connections
- Upgrade to 14-ply Radial Tires
- 3/16" Floor Upgrade (Crossmembers on 12" OC)
- Upgrade to 17.5 Tires
- Debris Tarp



Also Available as a Gooseneck Trailer (27NGD)