

# 27EG

# Tandem Axle Gooseneck Equipment Trailer

<b>G.V.W.R</b>	14,000#	<b>LOADING RAMPS</b>	2 - 3" Channel Loading Ramps
<b>COUPLER</b>	2 5/16" Adjustable Gooseneck Coupler	<b>LIGHTS</b>	All LED Stop, Tail, Turn and Clearance
<b>AXLES</b>	Tandem 7,000# Single Wheel	<b>ELECTRIC PLUG</b>	7-Way RV Style
<b>SUSPENSION</b>	Multi-leaf Slipper Spring with Equalizer	<b>PREP</b>	3-Step Acid Washed with Phosphorus Solution
<b>BRAKES</b>	Electric brakes on all axles	<b>PRIMER</b>	Rust Resistant Epoxy Primer
<b>TIRE</b>	ST235/80R16 (10 ply)	<b>PAINT</b>	High Solid Urethane
<b>WHEEL</b>	16 x 6, 8-bolt	<b>PINSTRIPES</b>	Painted Pinstripes
<b>FRAME</b>	6" Channel on 14'-18', 8" Channel on 20'-24'	<b>WIDTH</b>	84" wide (approx. between fenders)
<b>GOOSENECK</b>	10" I-Beam	<b>DECK HEIGHT</b>	Approx. 28" standard
<b>CROSSMEMBERS</b>	3" Channel on 16" centers	<b>STORAGE</b>	Chain Basket between uprights
<b>SAFETY CHAINS</b>	Heavy Duty with Safety Latch Hooks	<b>WIRING</b>	Front Mount in conduit
<b>JACK</b>	Single 12,000# Spring Loaded Drop Leg Jack	<b>REFLECTIVE TAPE</b>	Required D.O.T. Reflective Taping
<b>SIDE RAILS</b>	Stake Pockets & Rub Rails	<b>SAFETY</b>	Emergency Breakaway switch & battery backup
<b>FLOOR</b>	2" Pressure Treated Pine		
<b>FENDERS</b>	Diamondplate Teardrop with full backplate		
			All specifications subject to change without notice.



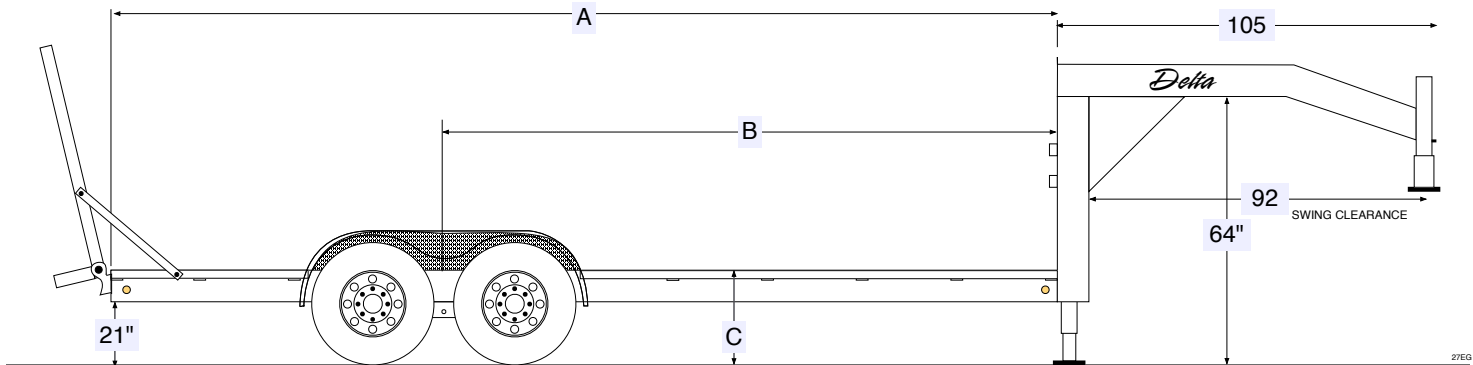
Shown above with optional drive-over fenders and 36" Super Ramps

### Measurements

when equipped with 5' dove tail

Length	A	B	C
14	168	114"	28"
16	192	126"	28"
18	216	138"	28"
20	240	150"	28"
22	264	162"	28"
24	288	174"	28"

All measurements are approximate



### SUGGESTED RETAIL PRICE

Gooseneck

Model	Length	Frame
27EG-14	14'	6" Channel
27EG-16	16'	6" Channel
27EG-18	18'	8" Channel
27EG-20	20'	8" Channel
27EG-22	22'	8" Channel
27EG-24	24'	8" Channel

### 27EG OPTIONS PRICING

Dove Tail (2 ft.)		Spare (Complete Tire & Wheel)	
Full Front Toolbox with lockable Lid		3' Dovetail with 36" Mini Super Ramps	
Extra Spring Loaded Jack (Dual Jacks)		Drive-Over Fenders (102" wide deck in front and rear of fenders)	
2-Speed Jack System (includes 2nd Jack)		Slide-in Ramps	
Springs on Ramps		Deduct for no ramps	
Metal Floor (3/16" Diamondplate with crossmembers on 12" centers)		Upgrade to 14-ply radial tires	
		Upgrade to 17.5 tires (each tire)	
		8k Axle Upgrade (Tandem)	