

# 27NGD 7-Ton Narrow Body Gooseneck Dump Trailer

## Gooseneck Model

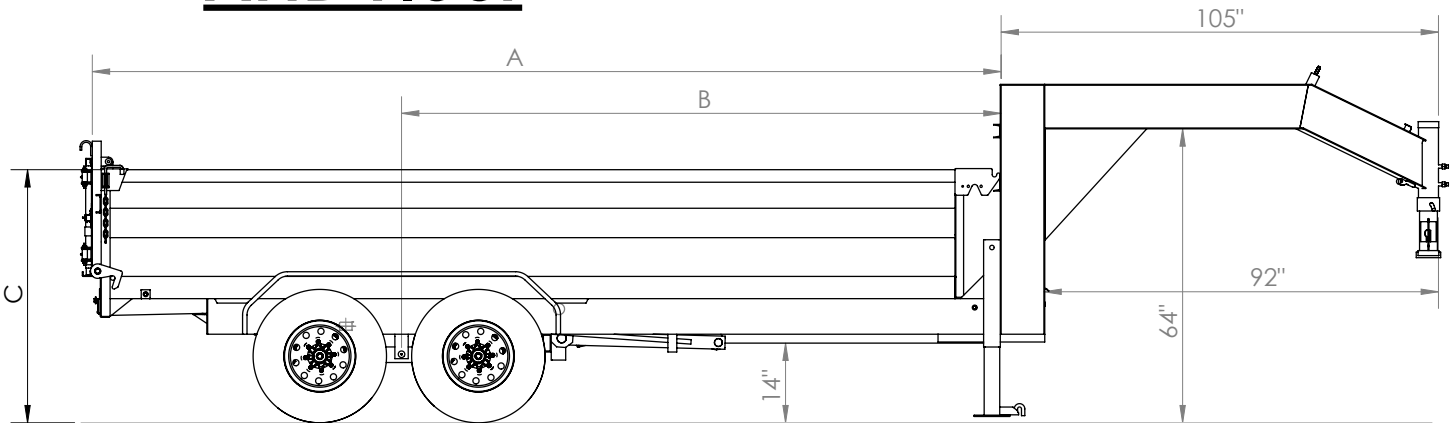
<b>G.V.W.R</b>	14,000#	<b>HYDRAULIC LIFT</b>	Self-Contained Electric/Hydraulic Scissor Lift
<b>COUPLER</b>	2 5/16" Bulldog Adjustable Gooseneck Coupler	<b>HYDRAULIC PUMP</b>	Front Mount Pump & Battery inside toolbox
<b>AXLES</b>	Tandem 7,000# Single Wheel	<b>CONTROL</b>	Magnetic Control Unit
<b>SUSPENSION</b>	Multi-leaf Slipper Spring with Equalizer	<b>DUMP BED SIDES</b>	24" high, 10 gauge with integrated supports
<b>BRAKES</b>	Electric brakes on all axles	<b>REAR GATE/DOOR</b>	Combination Dump/Swing gate with Cam Latches
<b>TIRE</b>	S/T235/80R16 (10 ply)	<b>LOADING RAMPS</b>	2 - 6 ft. Loading Ramps
<b>WHEEL</b>	16 x 6, 8-bolt Steel	<b>LIGHTS</b>	All LED Stop, Tail, Turn and Clearance
<b>MAIN FRAME</b>	2" x 5" Tubing	<b>ELECTRIC PLUG</b>	7-Way RV Style
<b>GOOSENECK</b>	10" I-Beam (12 lbs./ft.)	<b>PREP</b>	3-Step Acid Washed with Phosphorus Solution
<b>CROSSMEMBERS</b>	3" Channel	<b>PRIMER</b>	Rust Resistant Epoxy Primer
<b>BED CROSSMEMBERS</b>	3" Channel on 12" centers	<b>PAINT</b>	High Solid Urethane
<b>FRAME TONGUE</b>	5" Channel (doubled to 10")	<b>PINSTRIPES</b>	Painted Pinstripes
<b>SAFETY CHAINS</b>	Heavy Duty with Safety Latch Hooks	<b>WIDTH</b>	84" wide (approx.)
<b>JACK</b>	Twin 12,000# Spring Loaded Drop Leg Jacks	<b>FLOOR HEIGHT</b>	Approx. 29"
<b>BED TIE DOWNS</b>	4-Heavy Duty D-Rings	<b>WIRING</b>	Front Mount in conduit
<b>FLOOR</b>	10 gauge smooth steel	<b>REFLECTIVE TAPE</b>	Required D.O.T. Reflective Taping
<b>FENDERS</b>	Steel Diamondplate	<b>SAFETY</b>	Emergency Breakaway switch & battery backup
<b>TOOLBOX</b>	Front Mount toolbox with lid between jacks	<b>TARP/MOUNT</b>	Tarp Mount is Standard, Tarp Optional
<b>DUMP ANGLE</b>	45 degree Dump Angle (max)		All specifications subject to change without notice.

## Features Heavy Duty 10 gauge sides AND Floor

### Measurements

LENGTH	A	B	C
12	144"	81"	52"
14	168"	102"	52"
16	192"	108"	52"

*All measurements are approximate*



### SUGGESTED RETAIL PRICE

#### Gooseneck

Model	Length	Capacities
27NGD-12	12'	6.2 cubic yards
27NGD-14	14'	7.25 cubic yards
27NGD-16	16'	8.3 cubic yards

### 27NGD OPTIONS PRICING

2-Speed Jack System (trailer comes with 2 standard jacks)		Spare (Complete Tire & Wheel)	
Debris Tarp		Upgrade to 14-ply radial tires	
		Upgrade to 17.5 tires (each tire)	
		Rear Stabilizer Drop Legs	