

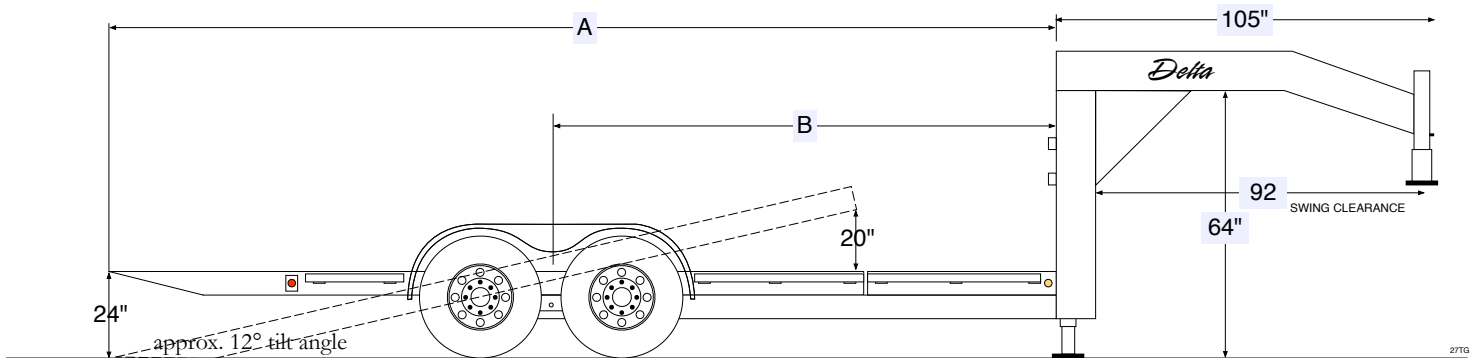
G.V.W.R	14,000#	TILT-SYSTEM	Two-way Hydraulic Dampening System
COUPLER	2 5/16" Bulldog Adjustable Gooseneck Coupler	LOADING AREA	Split Diamondplate loading edge
AXLES	Tandem 7,000# Single Wheel	LIGHTS	All LED Stop, Tail, Turn and Clearance
SUSPENSION	Dexter Torflex Axles (independent suspen-	ELECTRIC PLUG	7-Way RV Style
BRAKES	Electric brakes on all axles	PREP	3-Step Acid Washed with Phosphorus Solution
TIRE	ST235/80R16 (10 ply)	PRIMER	Rust Resistant Epoxy Primer
WHEEL	16 x 6, 8-bolt	PAINT	High Solid Urethane
FRAME	5" Channel with 5" Channel Stacked Support	PINSTRIPES	Painted Pinstripes
GOOSENECK	8" Channel	WIDTH	83" wide (approx)
CROSSMEMBERS	3" Channel on 16" centers	DECK HEIGHT	Approx. 24" standard
SAFETY CHAINS	Heavy Duty with Safety Latch Hooks	STORAGE	Chain Basket between uprights
JACK	Single 12,000# Spring Loaded Drop Leg Jack	WIRING	Front Mount in conduit
TOP FRAME	2" x 5" Tubing with Rub Rails & Stake Pockets	REFLECTIVE TAPE	Required D.O.T. Reflective Taping
FLOOR	2" Pressure Treated Pine	SAFETY	Emergency Breakaway switch & battery backup
FENDERS	Diamondplate Teardrop with full backplate		
All specifications subject to change without notice.			

Measurements

20' model shown (4 + 16)

Length	Tilt Deck	Front Deck	A	B
18	16'	2'	216	112"
20	16'	4'	240	136"
22	16'	6'	264	160"
24	16'	8'	288	184"

All measurements are approximate



SUGGESTED RETAIL PRICE

Gooseneck

Model	Length	Fixed Deck	Tilt-Deck
27TG-18	18'	2'	16'
27TG-20	20'	4'	16'
27TG-22	22'	6'	16'
27TG-24	24'	8'	16'

27TG OPTIONS PRICING

Full Front Toolbox with lockable Lid		Spare (Complete Tire & Wheel)	
Extra Spring Loaded Jack (Dual Jacks)		8K axle upgrade (includes frame reinforcement)	
2-Speed Jack System (includes 2nd Jack)		add 3rd 7K axle (includes frame reinforcement & tri-axle fenders)	
Metal Floor (3/16" Diamondplate with crossmembers on 12" centers)		Upgrade to 14-ply radial tires	
Tilt portion Power Up/Down Option (Hydraulic pump system)		Upgrade to 17.5 tires (each tire)	
Forklift Fork Holders		Full Width Deck with Drive Over Fenders	
D-Rings (ea.)			